

1

2

3

4

5

6

RevNo	Revision note	Date	Signature	Checked
-------	---------------	------	-----------	---------

A

B

C

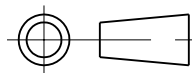
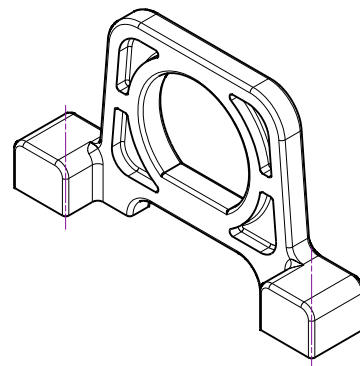
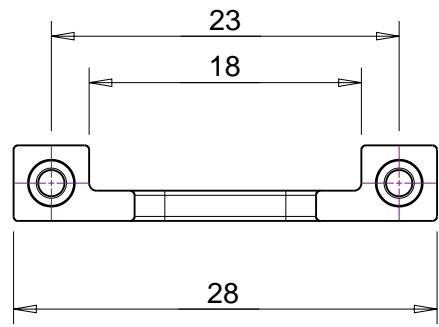
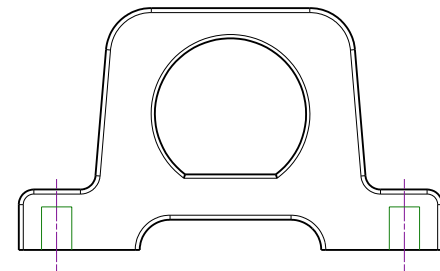
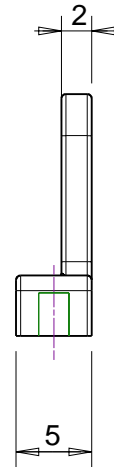
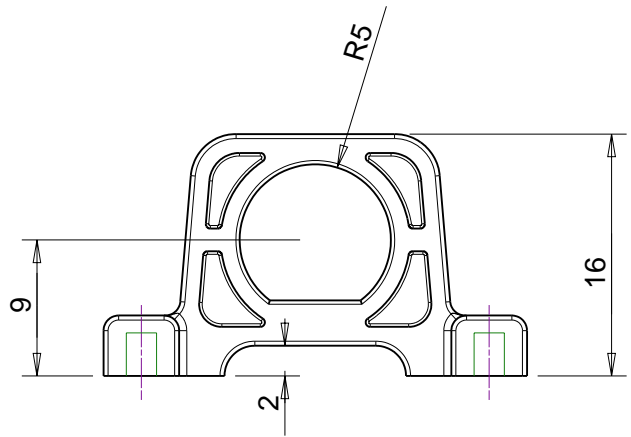
D

A

B

C

D



Drawn by	Checked by	Approved by	Product	CR1
kotouda		kotouda	Title	Motor Mount 2
2015/11/17		2015/11/17	Drawn No.	02CR - 00
CRAFT-ONE			Scale	SHEET /
			File Name	mount_motor_8_BS

1

2

3

4

5

6