

1

2

3

4

5

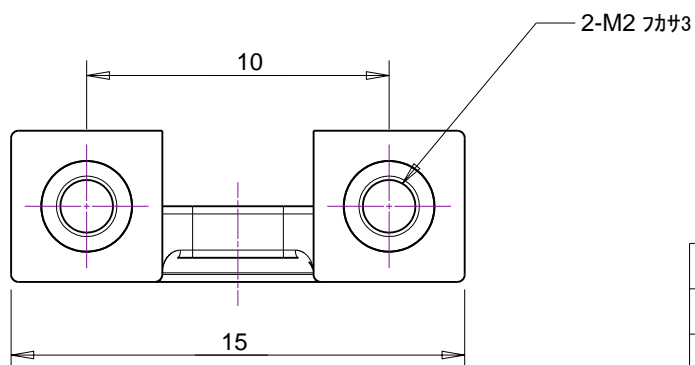
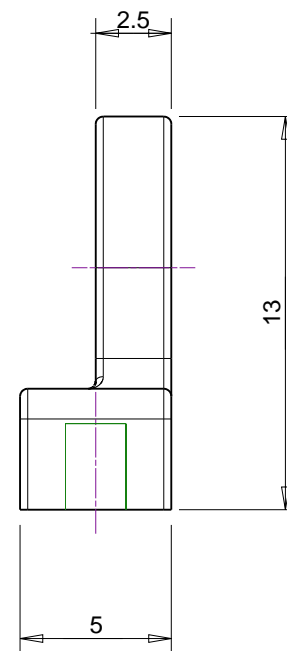
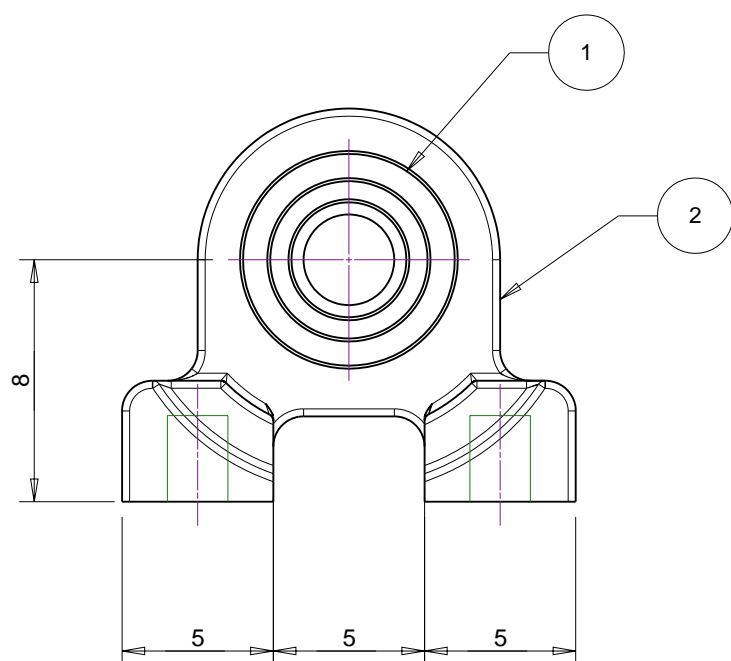
6

RevNo Revision note

Date

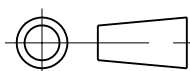
Signature

Checked



No.	Part Name	Part Number	QTY.
1	ベアリング3 x 6 (フランジ付)	2121-030625	1
2	ベアリングホルダ	9143-150030	1

Drawn by	Checked by	Approved by	Product	CR1
kotouda		kotouda	Title	ベアリングホルダ
2015/05/26		2015/10/20	Drawn No.	04ER1007 - 00
CRAFT-ONE			Scale	4:1 SHEET 1 / 1
			File Name	bearing holder assy Pict10mm



1

2

3

4

5

6